

# KHE

## LED Multi Signal Light

# PATLITE

JAPAN



**LED**

**Ø100**

**IP65**  
(with SZ-200A)

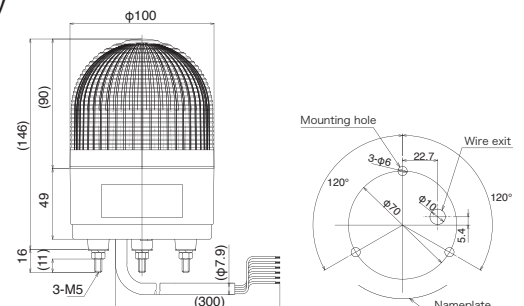
# KHE

## LED Multi Signal Light featuring tripple flashing patterns for diverse use.

- Flashing Pattern : 3 Patterns ··· Simulated Rotation, LED Strobe, Blinking
- Light Source : Use of long-lived super bright LED
- Maintenance-free : No bulb replacement needed
- Energy Efficient : Low power consumption and low current
- Operating Life : Longer life with no use of motor
- Installation : Indoor ··· upright, inverted and sideway, Outdoors ··· upright only
- Dust- and waterproof IP65 with Rubber Gasket SZ-200A\*
- Compliance : CE / UL / RoHS
- Available Color : Red, Amber, Green, Blue

\* Rubber Gasket SZ-200A is an optional part

Model	Rated Voltage	Color	Power Consumption	Current	Luminosity
KHE	DC 24V (non-polar)	red	8.2W	340mA	10cd
		amber	8.2W	340mA	15cd
		green	10.1W	420mA	15cd
		blue	21.6W	900mA	3cd



## PATLITE Corporation

2-58 Wakabayashi, Yao, Osaka, 581-0038  
International Division Sales and Marketing Department TEL.+81-729-48-3211 FAX.+81-729-48-5533

**PATLITE (U.S.A.) Corporation**  
3860 Del Amo Blvd., Suite #401 Torrance, CA 90503 TEL.+1-310-214-3222 FAX.+1-310-214-9999

**PATLITE Corporation/European Office**  
Westblaak 140, 3012KM Rotterdam, The Netherlands TEL.+31-10-412-1314 FAX.+31-10-412-3672

**PATLITE (SINGAPORE) PTE LTD**  
2 Havelock Road, #05-01/02, Apollo Centre, Singapore 059763 TEL.+65-6226-1111 FAX.+65-6324-1411

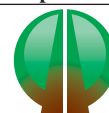
**PATLITE (CHINA) Corporation**  
Block E, No.9 FL, Hua Du Bldg., No.828-838 Zhang Yang Road, Pudong Dist., Shanghai 200122 China TEL.+86-21-68761533 FAX.+86-21-68769688

<http://www.patlite.co.jp/int/>

E-mail: [overseas@patlite.co.jp](mailto:overseas@patlite.co.jp)



To ensure correct use of these products, read the "Instruction Manual" prior to use. Failure to follow all safeguards can result in fire, electric shock, or other accidents. Specifications are subject to change without notice.



PATLITE ECO PROJECT

For the benefit of mankind and the earth, Patlite is committed to developing environmentally friendly products.



This leaflet is printed with Soy Ink. This leaflet is recycled paper.